

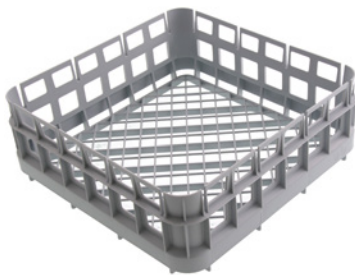
# Halcyon AMH35 D

undercounter  
GLASSWASHER

halcyon®

## Halcyon AMH35 D Features

- **1 year warranty**
- Drain pump as standard
- Accurate detergent and rinse aid peristaltic dosing pumps
- Dosing set up by fascia controls
- Easy clean parallel wash and rinse arm assembly
- Optional surface scrap tray filters
- Large three button control



Two 350 x 350mm open cup/  
glass racks supplied as standard –  
capable of holding 10 pint glasses.

Additional racks can be  
purchased at point of order:

**Q902302B**



Gravity drain version  
available: **AMH35**

# Halcyon AMH35 D

## undercounter GLASSWASHER

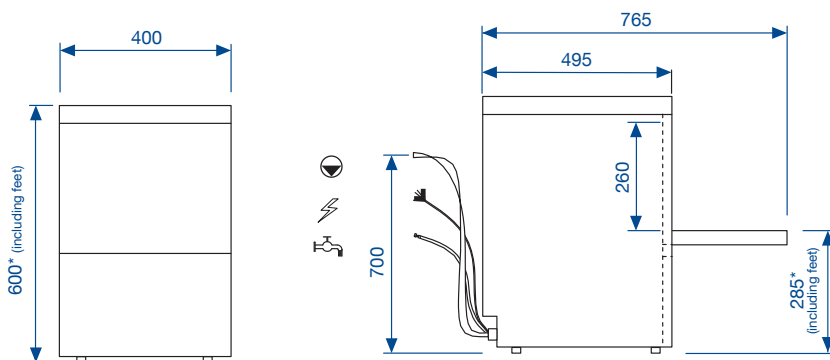


### Technical Data

Dimensions (W x D x H)	mm	400 x 495 x 590	Wash tank element	kW	1.4
		+ Feet	Boiler element	kW	2.6
Feet height	mm	10-20	Wash pump	kW	0.18
Rack size	mm	350 x 350	Tank capacity	L	7
Maximum useable height	mm	240	Noise emission	dB	≤ 55
Door opening	mm	260	<b>Packaging Specs</b>		
Theoretical productivity	Racks/h	30	Gross weight	Kg	31
Effective productivity	Racks/h	24*	Cubic volume	m <sup>3</sup>	0.25
			Dim. (W x D x H)	mm	470 x 590 x 750

\*Allowing 30 seconds for reloading  
Cycle times may vary depending on local conditions/services

### Installation Diagram – All services must be within 1 meter



\*Height-adjustable feet + 10mm

### Power Supply

Installed power	AMP	kW
230V – 50Hz – 1N	13*	2.8

\*Supplied with 13A moulded plug and lead

Pumped waste into upstand, maximum height 700mm

Power  
 Water supply 2 – 4 bar

### Water Connection

Inlet water pressure	Bar	2 to 4
Flow rate L/Min	L/Min	6
Water inlet temp	°C	10 to 50
Water connection	BSP	¾"
Waste connection	Ø	Int 16.8/ext 21.6

### Cycle Information

Number of standard cycles		1
Standard cycles times	Sec	120
Special cycle		N/A
Self-cleaning cycle		Partial
Water consumption per cycle	L	1.9
Wash temperature	°C	60
Rinse temperature	°C	65